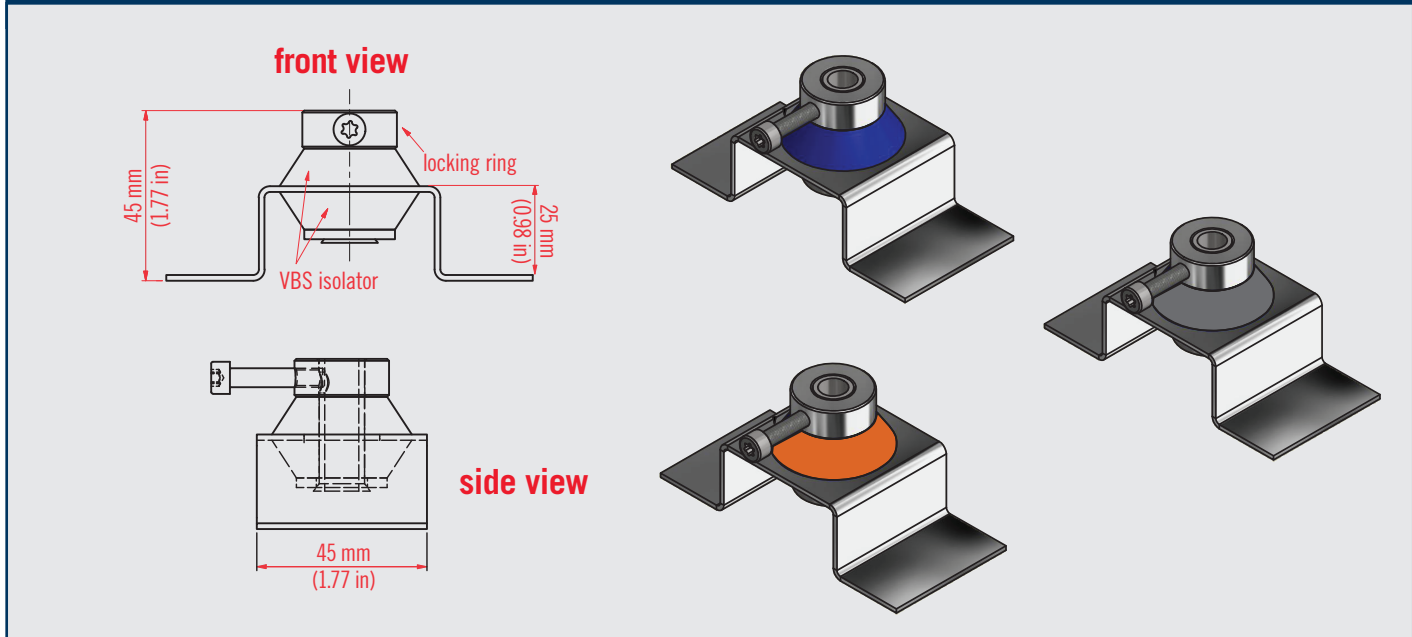


VBS ISOLATION MOUNTS



For years, Mascoat has helped make vessels quieter with Sound Control-dB Sound Damping Coating.

Building on the tradition of keeping crew and passengers safer and more comfortable, Mascoat is proud to introduce VBS Isolation Mounts. These durable, effective brackets can secure and isolate a suspended ceiling with no metal-to-metal contact between the ceiling rail system and the superstructure above. This means that vibrations traveling through the ship will be decoupled from the suspended ceiling, making for a much quieter vessel.



LIMIT VIBRATION TRANSFER

between suspended ceiling and superstructure, reducing panel noise



RAPID INSTALLATION

with no need for multiple bits to attach and tighten the brackets



LOCKING PIN AND RING

are able to be reversed, allowing for crucial space saving



SAFETY LOCK SYSTEM

ensures that ceiling will be secure in the event of fire

Corporate Office · 4310 Campbell Road · Houston, TX USA 77041 · 713.465.0304

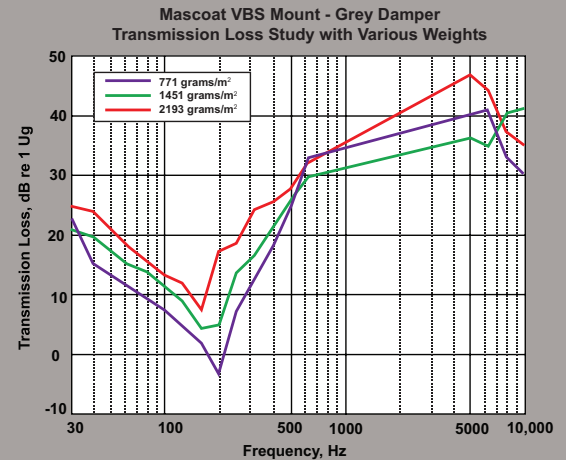
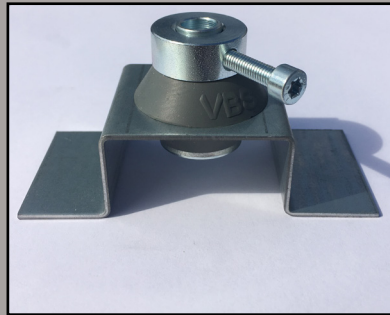
TRANSMISSION LOSS STUDIES AT VARIOUS WEIGHT LOADS

To give customers the best performance for their specific needs, Mascoat developed 3 different rubber dampers that each perform depending on the situation. Mascoat personnel will work closely with designers and owners to find the best solution for each vessel, ensuring successful noise reduction.

GREY DAMPER

LIGHT TO MEDIUM LOADS

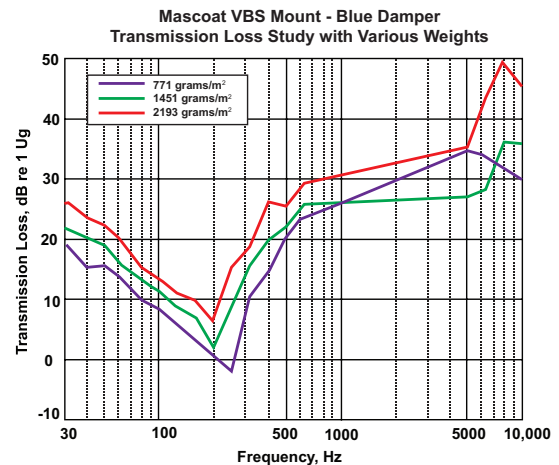
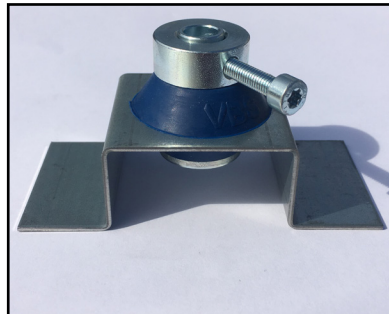
The Grey Damper is most effective with lighter loads. By coupling this system with lighter panels, noise and vibration can be noticeably reduced.



BLUE DAMPER

MEDIUM TO HEAVY LOADS

The Blue Damper was designed for heavier loads. By coupling this system with heavier panels, noise and vibration can be controlled effectively.



ORANGE DAMPER

IMO TESTED

The Orange Damper adheres to IMO Code Part 5 regarding Surface Flammability and has an ABS Certificate of Design Assessment. It has superior flame resistance, while still effectively reducing noise and vibrations.

